



COMPANY FERGUSS IS ONE OF THE LARGEST MANUFACTURERS OF FIREPLACES AND STOVE. WE SELL OUR PRODUCTS IN OVER 30 COUNTRIES. WE PRODUCE FIREPLACES AND STOVE OF 100% CAST IRON, WITH SPECIAL FIRE RESISTANT GLASS WITH 700°C, SPECIAL COLOR OF 600°C AND ALL OTHER HIGH-QUALITY MATERIALS WITHOUT THE USING OF ASBEST MATERIALS. OUR 100% CAST IRON STOVES AND FIREPLACES ARE DISTINGUISHED EVENLY HEAT AND EXTRAORDINARY LONGEVITY.

**FERGUSS**<sup>®</sup>

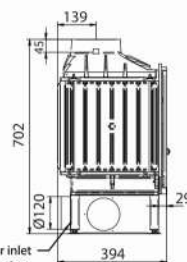
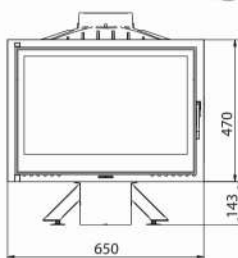
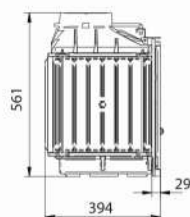
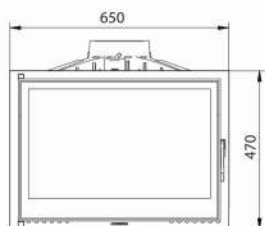
NAŠ VEK JE CEO VEK / OUR CENTURY IS THE CENTURY

# FGS LUX 17

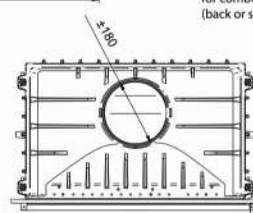
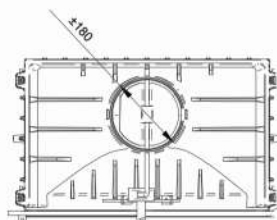
EAN CODE 8606107095127

# FGS LUX 17 clapet

EAN CODE 8606107095134



External air inlet for combustion (back or side)



10.4 Kw  
77 %

# FG17 with external air

EAN CODE 8606107095141

# FG17 with external air with clapet

EAN CODE 8606107095158



# FGS LUX 17 Serigrafiado

EAN CODE 8606107095394

# FGS LUX 17 Serigrafiado Clapet

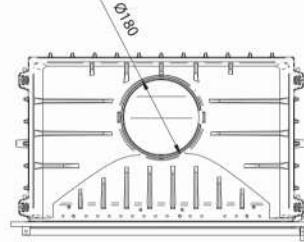
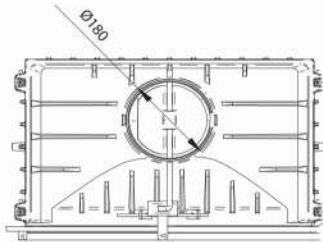
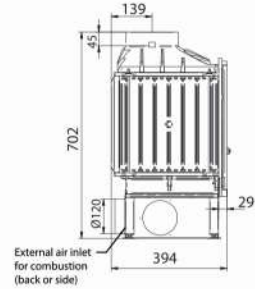
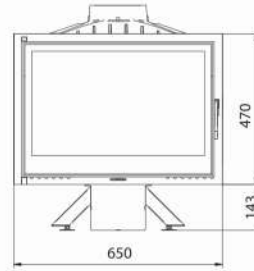
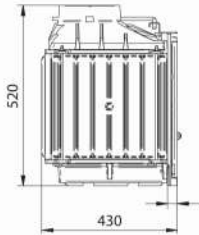
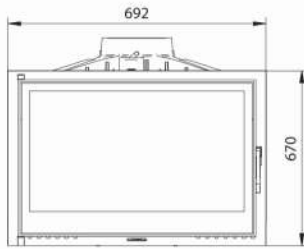
EAN CODE 8606107095417

# FG17 with external air glass Serigrafiado

EAN CODE 8606107095424

# FG17 with external air glass Serigrafiado clapet

EAN CODE 8606107095431



10 Kw  
η% 74.7

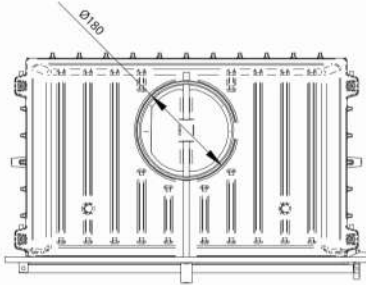
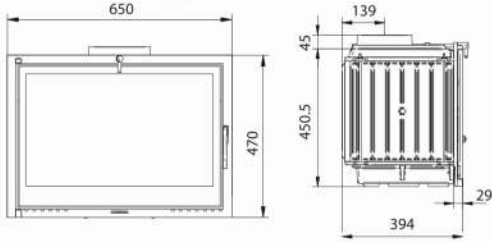


# FGS LUX 18

EAN CODE 8606107095080

# FGS LUX 18 Clapet

EAN CODE 8606107095097

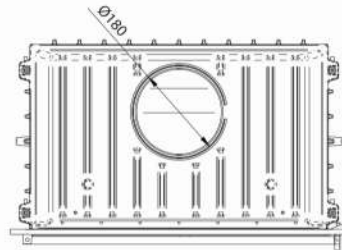
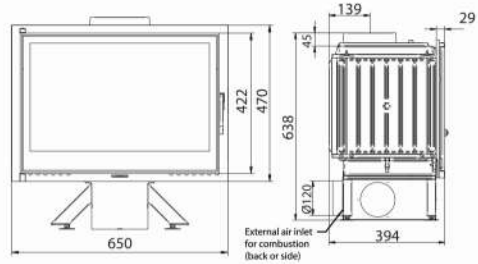


# FG18 with external air

EAN CODE 8606107095103

# FG18 with external air clapet

EAN CODE 8606107095110



**11,9 Kw**  
**77,8 %**

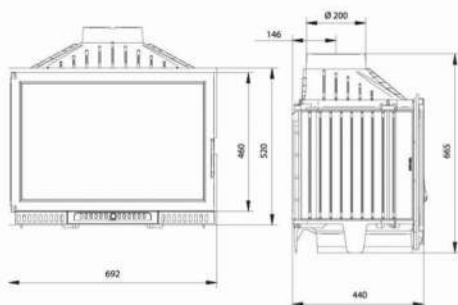


# FG19

EAN CODE 8606107095172

# FG19clapet

EAN CODE 8606107095189



**15 kW**  
**75 %**

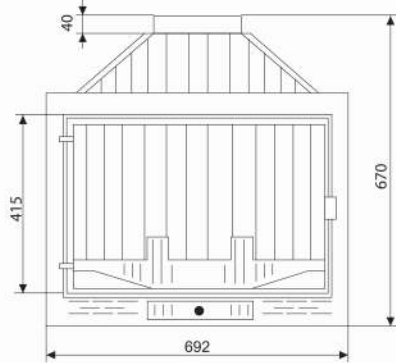
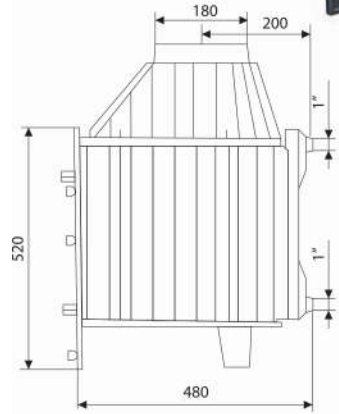


# FGS LUX 20

EAN CODE 8606107095004

# FGS LUX 20 Clapet

EAN CODE 8606107095011



**10,5 Kw**  
**77,7 %**

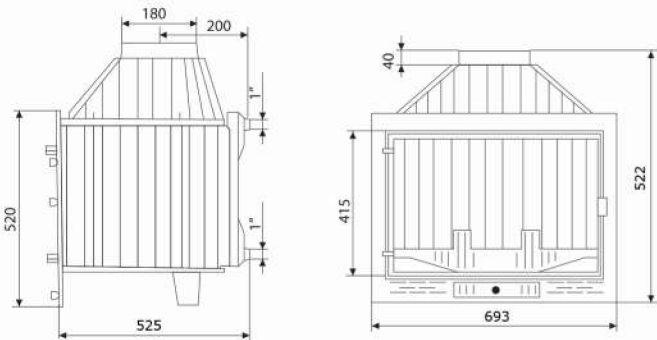


# FG20<sub>water</sub>

EAN CODE 8606107095028

# FG20<sub>water clapet</sub>

EAN CODE 8606107095035



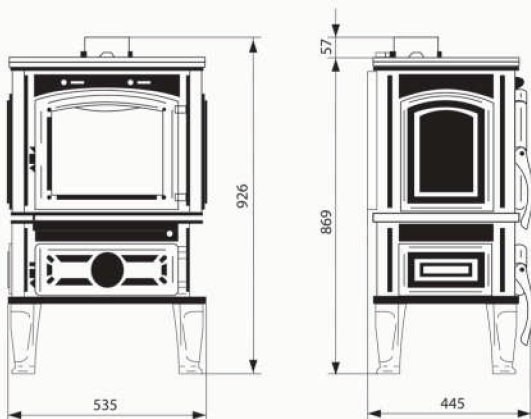
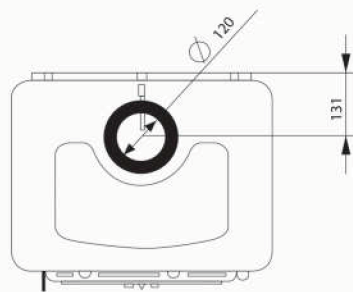
**16,2 Kw**  
**76,5** ♀%♂

Room heating output 12,2KW  
Water heating output 4 KW  
Water boiler 12 L.



# Ferguss Lux with clapet

EAN CODE 8606107095233



**10,2 Kw**  
**77,5 %**





# Fergus Lux

(ornament) cook with clapet

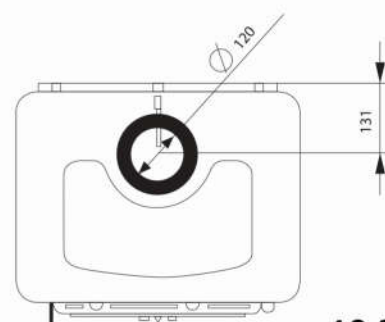
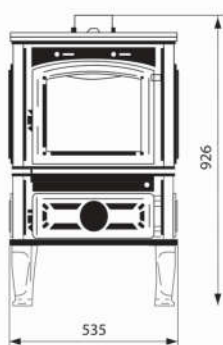
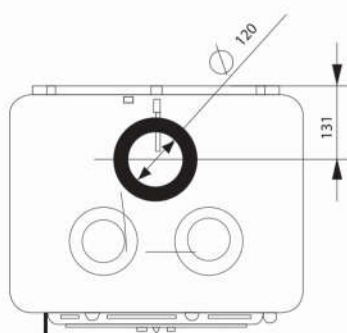
EAN CODE 8606107095288



# Fergus Lux

(ornament) elipsa with clapet

EAN CODE 8606107095295



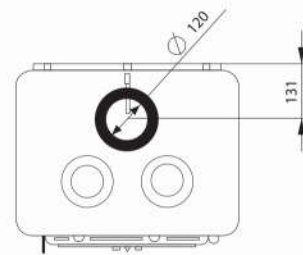
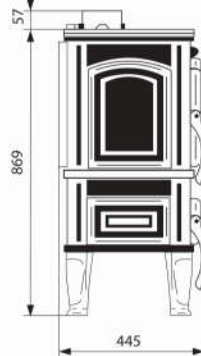
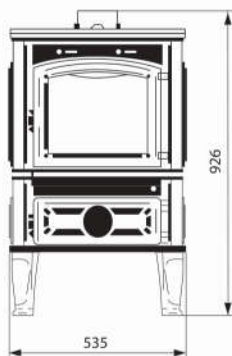
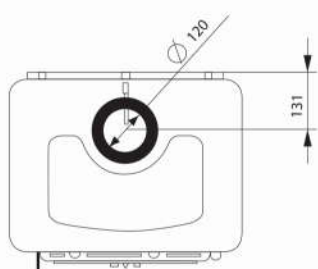
**10,2 Kw**  
**77,5 %**



# Fergus Lux

Straight with clapet

EAN CODE 8606107095264



**10,2 Kw**  
**77,5 %**

# Fergus Lux

Straight cook with clapet

EAN CODE 8606107095257

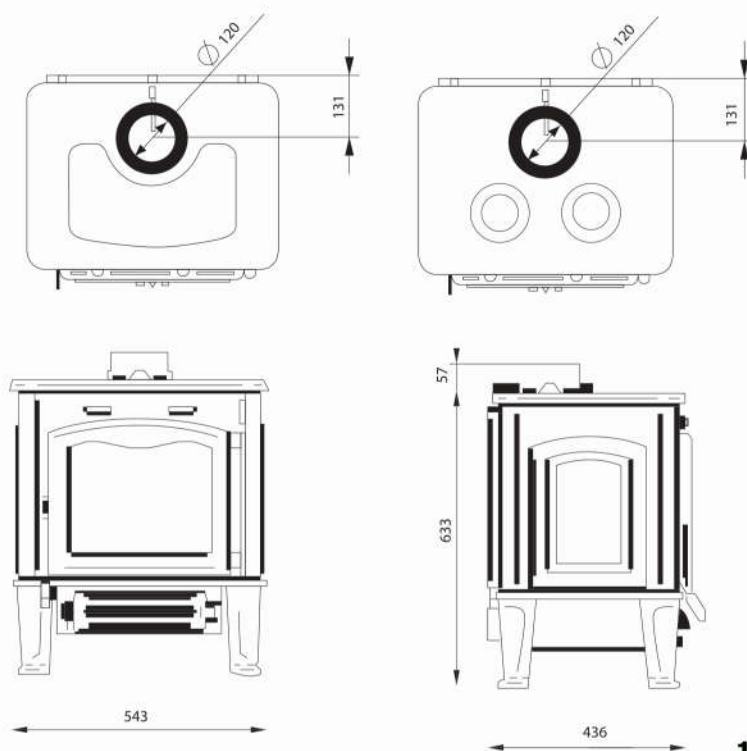


# Ferguss L short

# Ferguss L short

Short straight cook with clapet

EAN CODE 8606107095370



**10,8 Kw**  
**75** % $\eta$



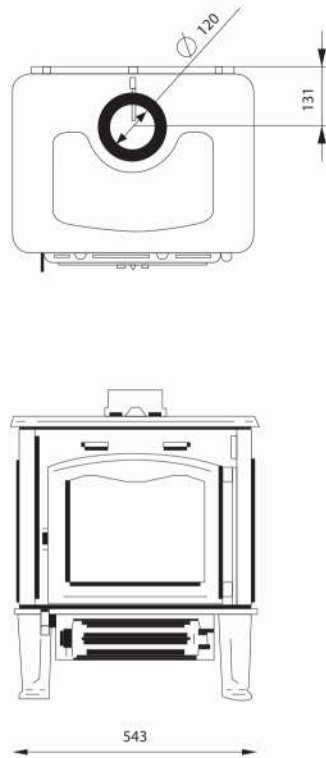
# Ferguss L short

Short (ornament) with clapet

EAN CODE 8606107095349



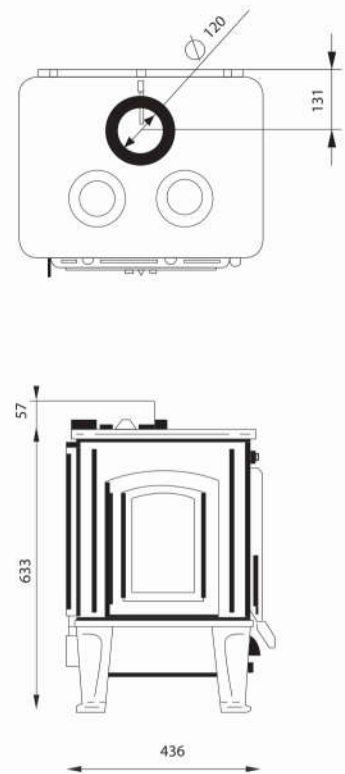
10,8 Kw  
75 %



# Ferguss L short

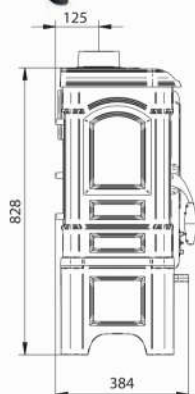
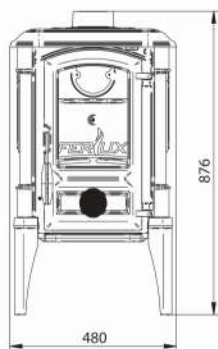
Short (ornament) cook with clapet

EAN CODE 8606107095356



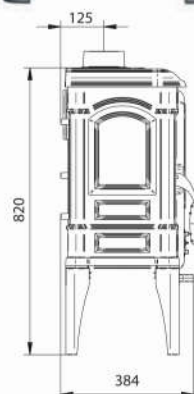
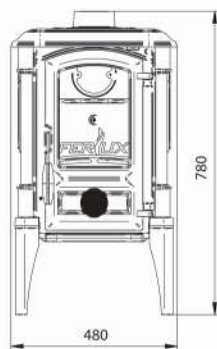
# Fergus A without clapet

EAN CODE 8606107095240



# Fergus A legs L without clapet

EAN CODE 8606107095219



**8,75 Kw**  
**74 %**



# Fergus L

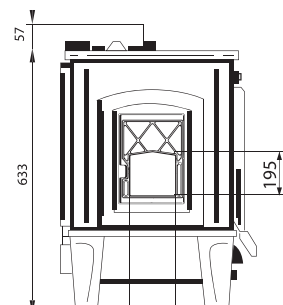
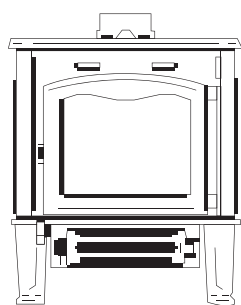
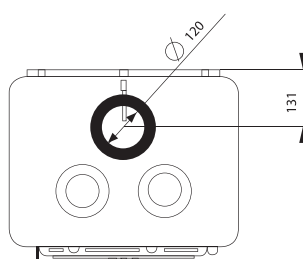
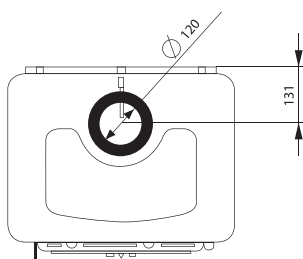
Short straight with clapet side door elipsa

EAN CODE 8606107095523

# Fergus L

Short straight cook with clapet side door

EAN CODE 8606107095530



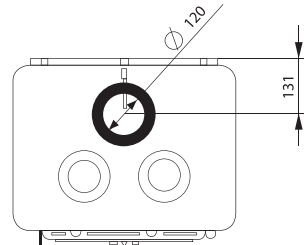
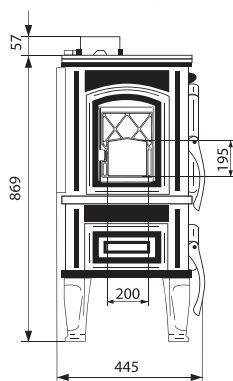
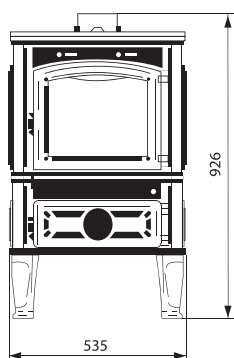
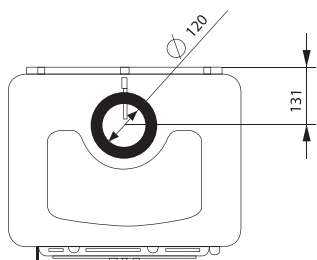
12.8 Kw  
74 %



# Ferguss L

Straight with clapet side door top elipsa

EAN CODE 8606107095509



# Ferguss L

Straight cook with clapet side door

EAN CODE 8606107095516



12 Kw  
74



# Technical Data/ Tehničke karakteristike:



	FGS LUX 17	FG 17 Ext. Air	FGS LUX 17 Serigrafiado	FG 17 Serigrafiado Ext. Air	FGS LUX 18	FG 18 Ext. Air	FG 19	FGS LUX 20
--	---------------	-------------------	----------------------------	-----------------------------------	---------------	-------------------	-------	---------------

	561	702	561	702	496	638	665	670
	650	650	650	650	650	650	692	692
	394	394	402	402	394	394	439	430
	180	180	180	180	180	180	200	180
	90	94	92	95	92	94	95	122
<b>Pa</b>	10-12	10-12	10-12	10-12	10-12	10-12	10-12	10-12
<b>Kw</b>	10,4	10,4	10,4	10,4	11,9	11,9	15	10,5
	311	311	311	311	311	311	404	415
	554	554	554	554	554	554	590	572
	292	292	292	292	292	292	357	330
	338	338	420	420	338	338	615	380
	555	555	600	600	555	555	395	590
	4	4	4	4	4	4	4	4
	500	500	500	500	500	500	500	500
	77	77	77	77	77,8	77,8	75	77,7



## Technical Data/ Tehničke karakteristike:

# FERGUSS®

NAŠ VEK JE CEO VEK / OUR CENTURY IS THE CENTURY



FG 20  
Water

Ferguss  
LUX

Ferguss L  
Short

Ferguss A

	522	926	692	876
	693	535	548	480
	525	445	436	384
	180	120	120	120
	125,5	168	138	123
<b>Pa</b>	10-12	10-12	10-12	10-12
<b>Kw</b>	16,2	10,2	10,8	8,75
	415	270	200	290
	572	410	452	353
	330	310	338	236
	380	263	263	310
	590	324	324	220
	4	4	4	4
	500	250	350	230
	76,5	77,5	75	74

Mere su date u milimetrima i služe samo za orijentaciju/heights and sizes are in mm and using only for orientation.  
Ferguss zadržava pravo da izmeni bilo koji model ovog kataloga bez prethodne najave  
/Ferguss reserves the right to modify any model of this catalog without earlier notice.



Fergus doo Beograd  
office: Mirijeovski Bulevar 29, 11000 Beograd, Srbija  
store: Prvomajska 10, Staklara Pančevo, 26000 Pančevo  
mob: +381 69 4080 989 (Viber, WhatsApp)  
mob: +381 69 3222 463 (Viber, WhatsApp)  
Email: milicademicobeograd@gmail.com  
Web: [www.ferguss.rs](http://www.ferguss.rs)